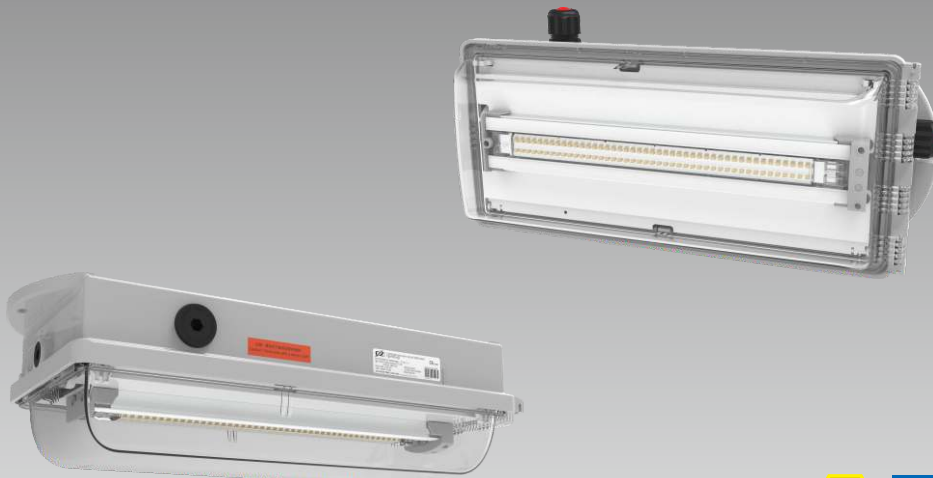


# CZ0264/30

**A**


## 描述 Descriptions

防爆 LED 条形灯壳体由玻璃纤维增强聚酯压模成型，透明罩采用抗紫外线 PC 注塑成型，其稳定性及机械强度高，对工厂中多种化学物质具有良好的防护能力。壳体与透明罩间设有防护硅橡胶密封圈，通过联锁机构使其压紧。配置防爆行程开关，具有机械连锁开盖断电功能。内部配置独立认证的防爆电源模块，带有恒流输出和过温保护功能。LED 光源模块采用了最新的高光效 LED 颗粒，配光与显色性能优异。适用于爆炸性气体与粉尘环境内做正常照明。

- 可选配防爆熔断器。
- LED 光源模块专业光学设计，发光角度为 110°。
- LED 电源模块有过温保护、过压保护、短路保护功能。
- 防护等级高达 IP66。
- IECEx 国际认证，ATEX 欧洲认证。

The enclosures of explosion-proof LED linear light fittings are manufactured by glass fibre reinforced polyester and the transparent parts are molded by anti-ultraviolet polycarbonate. They have good protection ability from various chemical matters in factories because of high stability and mechanical strength. The sealing gasket between the enclosure and the transparent parts are compacted by the interlock device. The isolation switch is activated by the interlock device to cut off the power supply once the enclosure is opened. The internal certified explosion-proof power supply module, have the functions of constant current output and over temperature protection. With latest high-efficient LED chips, LED module has excellend luminous intensity and color rendering performance. Applicable in explosive gas and dust atmosphere for normal lighting purpose.

- Explosion-proof fuse is optional.
- Wide beam 110° design.
- The LED power supply with the protective functions of over temperature, over voltage and short circuit.
- IP66.
- IECEx and ATEX certified.

## 1 区和 2 区

## 21 区和 22 区

## Zone 1 and zone 2

## Zone 21 and zone 22

示意图 Diagram

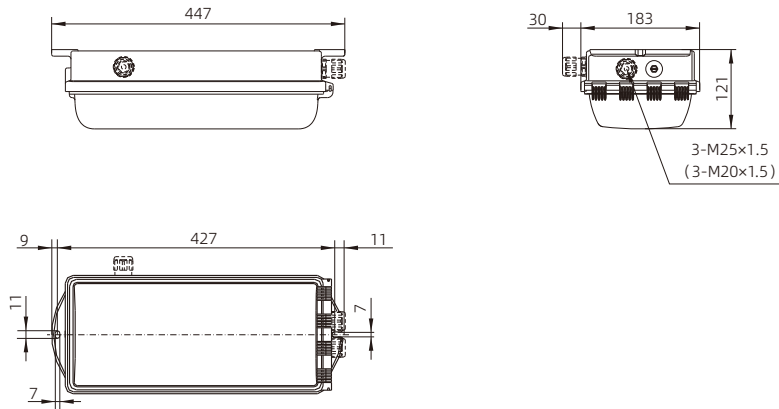


**A**

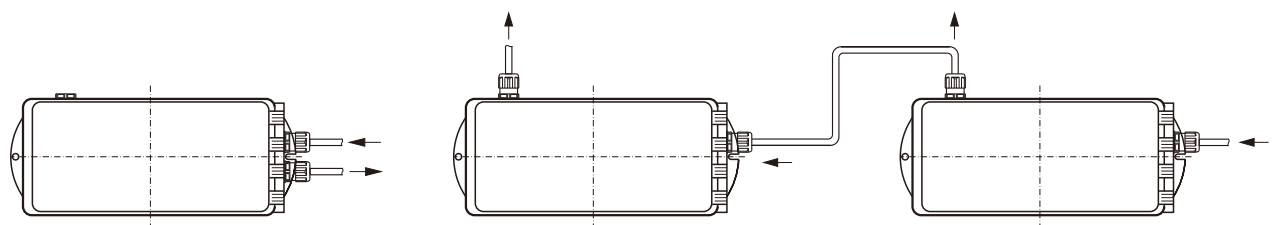
- |                |   |
|----------------|---|
| ① 防爆LED 光源模块   | ① Explosion-proof LED light source module |
| ② 防爆电源模块       | ② Explosion-proof power supply module     |
| ③ 防爆行程开关       | ③ Explosion-proof limit switch module     |
| ④ 防爆熔断器模块 (可选) | ④ Explosion-proof fuse module (optional)  |

外形尺寸 Outline dimensions

单位 Unit: mm



电缆连接回路示意图 Cable wiring diagram



方案 1 Solution 1

方案 2 Solution 2

**主要数据 Main technical data**

认证 Certification	防爆标志 Ex mark	符合标准 Meet the standard
China	Ex db eb mb q II C T6/T5 Gb Ex tb IIIC T80°C Db	GB/T3836
IECEX	Ex db eb mb q II C T6/T5 Gb Ex tb IIIC T80°C Db	IEC60079
ATEX	Ⓔ II 2GD Ex db eb mb q II C T6/T5 Gb Ex tb IIIC T80°C Db	EN60079

**A**

 适用范围：用于 1 区和 2 区  
 用于 21 区和 22 区

 Intended use: Can be used in zone 1 and zone 2  
 Can be used in zone 21 and zone 22

 使用环境温度：-40°C ≤ Ta ≤ +40°C (T6)  
 -40°C ≤ Ta ≤ +50°C (T5)

 Ambient temperature use: -40°C ≤ Ta ≤ +40°C (T6)  
 -40°C ≤ Ta ≤ +50°C (T5)

防护等级：IP66

Degree of protection: IP66

额定电压：AC 100 ~ 250V 50/60Hz、DC 100 ~ 250V

Rated voltage: AC 100 ~ 250V 50/60Hz、DC 100 ~ 250V

额定电流：Max 0.15A

Rated current: Max 0.15A

光源：LED

Light source: LED

色温：标配 5000K，(可选 3000K、4000K、6500K)

Colour temperature: Standard 5000K, (Optional 3000K, 4000K, 6500K)

显色指数：Ra ≥ 80

Color rendering index: Ra ≥ 80

功率因数：λ &gt; 0.85

Power factor: λ &gt; 0.85

 接线端子：2 × 2.5mm<sup>2</sup>

 Terminals: 2 × 2.5mm<sup>2</sup>

 电气配置：标配防爆行程开关  
 (可选防爆熔断器)

 Electrical configuration: With explosion-proof limit switch  
 (Optional explosion-proof fuse)

电缆入口：标配 M25 (可选 M20)

Cable entry: Standard M25 (Optional M20)

塑制 1-M25 × 1.5，电缆外径：Φ9-17mm

Moulded plastic 1-M25 × 1.5 cable gland, outside diameter of cable: Φ9-17mm


塑制 2-M25 × 1.5 空塞堵头

Moulded plastic 2-M25 × 1.5 stopping plugs

符合：CE 2460

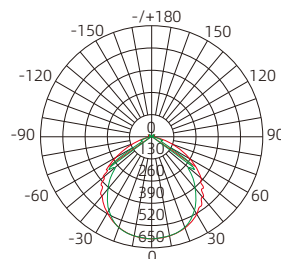
Conformity to: CE 2460

**订购规格 Order specifications**

图样 Illustration	光源功率 Power of light source	光通量 Luminous flux	重量(Kg) Weight	订购号 Order No.
	1 × LED 16W	1760 lm	3.36	<b>CZ0264/30-LED0016WWB5B-17-K□-B2</b>
				3-3000K 4-4000K } 色温 Colour temperature 5-5000K 6-6500K } F: 防爆熔断器模块 (不配不注) ← Explosion-proof fuse module (Optional) 电缆引入装置编码 Code of cable gland ←

**配光曲线 Luminous intensity distribution curve** — C0/180 — C90/270


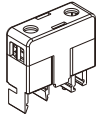

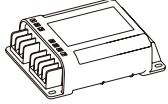

光强单位 luminous intensity unit: cd/1000 lm


 平均光束角 (50%) : 109.9度  
 The average beam angle (50%) : 109.9 Degree  
 CZ0264/30-LED0016WWB5B-17

**电缆引入装置编码 Code of cable entry device**

编码 Code	规格 Specifications	电缆直径 Cable diameter
<b>B1</b>	塑制 1 个 M20×1.5 电缆密封套, 塑制 2 个 M20×1.5 空塞堵头 One moulded plastic M20×1.5 cable gland, two moulded plastic M20×1.5 stopping plugs	Φ6-13mm
<b>C1</b>	铜制 1 个 CZ0221/M20×1.5 金属电缆密封套, 塑制 2 个 M20×1.5 空塞堵头 One brass CZ0221/M20×1.5 metal cable gland, two moulded plastic M20×1.5 stopping plugs	Φ6-13mm
<b>D1</b>	塑制 2 个 M20×1.5 电缆密封套, 塑制 1 个 M20×1.5 空塞堵头 Two moulded plastic M20×1.5 cable glands, one moulded plastic M20×1.5 stopping plug	Φ6-13mm
<b>E1</b>	铜制 2 个 CZ0221/M20×1.5 金属电缆密封套, 塑制 1 个 M20×1.5 空塞堵头 Two brass CZ0221/M20×1.5 metal cable glands, one moulded plastic M20×1.5 stopping plug	Φ6-13mm
<b>B2</b>	塑制 1 个 M25×1.5 电缆密封套, 塑制 2 个 M25×1.5 空塞堵头 One moulded plastic M25×1.5 cable gland, two moulded plastic M25×1.5 stopping plugs	Φ9-17mm
<b>C2</b>	铜制 1 个 CZ0221/M25×1.5 金属电缆密封套, 塑制 2 个 M25×1.5 空塞堵头 One brass CZ0221/M25×1.5 metal cable gland, two moulded plastic M25×1.5 stopping plugs	Φ9-17mm
<b>D2</b>	塑制 2 个 M25×1.5 电缆密封套, 塑制 1 个 M25×1.5 空塞堵头 Two moulded plastic M25×1.5 cable glands, one moulded plastic M25×1.5 stopping plug	Φ9-17mm
<b>E2</b>	铜制 2 个 CZ0221/M25×1.5 金属电缆密封套, 塑制 1 个 M25×1.5 空塞堵头 Two brass CZ0221/M25×1.5 metal cable glands, one moulded plastic M25×1.5 stopping plug	Φ9-17mm

**A**
**备件 Spare parts**

图样 Illustration	描述 Descriptions	单位 Unit	订购号 Order No.
 防爆行程开关模块 Explosion-proof limit switch module	防爆型式 Type of protection Ⓢ II 2G Ex db eb IIC Gb 触点二常闭 (2NC) Contact: 2NC	只 Piece	<b>CZ0207-1</b>
 防爆熔断器模块 Explosion-proof fuse module	防爆型式 Type of protection Ⓢ II 2G Ex e mb II C Gb	0.8A 只 Piece	<b>CZ0804 / T0.8A</b>
		1.25A 只 Piece	<b>CZ0804 / T1.25A</b>
		6.3A 只 Piece	<b>CZ0804 / T6.3A</b>
 防爆 LED 光源模块 Explosion-proof LED light source module	Ⓢ II 2G Ex eb mb IIC Gb 功率 Power: 16W / 1943 lm / 5000K	只 Piece	<b>CZ1618/11B-LED16WWB5B</b>
 防爆电源模块 Explosion-proof power supply module	防爆型式 Type of protection Ⓢ II 2G Ex eb q IIC Gb 功率: 1×16W, 用于 1×LED16W 条形灯 AC100 ~ 250V Power: 1×16W, Used for 1×LED16W linear light fittings AC100 ~ 250V	只 Piece	<b>CZ1618/57B-LED16W</b>
 接地螺母 Earthing nut	金属接地螺母 2-M20×1.5 Metal earthing nut 2-M20×1.5	套 Set	<b>D8714/2-M20</b>
	金属接地螺母 2-M25×1.5 Metal earthing nut 2-M25×1.5	套 Set	<b>D8714/2-M25</b>